

Video Accessory IC Series

Sync Separation ICs with Built-in AFC



BA7046F, BA7071F

No.10069EAT03

●Description

The BA7046F and BA7071F perform synchronization signal separation of a NTSC mode or PAL mode video signal and output a horizontal synchronization signal (H_D), vertical synchronization signal (V_D), and composite synchronization signal (Sync-out). With a built in AFC circuit, the horizontal synchronization signal (H_D) is output without being affected by the vertical return period or 1/2H pulses. Moreover, AFC circuit oscillation frequency adjustment is not necessary.

For both the BA7046F and BA7071F, the phase difference between the horizontal synchronization signal (H_D) and the vertical synchronization signal (V_D) is guaranteed. The BA7071F can be operated by a power supply voltage of 3 V.

●Features

- 1) Built-in AFC circuit
- 2) Horizontal free-run frequency requires no adjustment
- 3) Guaranteed phase difference between H_D and V_D
- 4) Few externally attached components
- 5) Low power consumption (Approx. 21 mW) [BA7046F]
- 6) Wide operation power supply range (2.85 V~7.5 V) [BA7071F]
- 7) SOP8 Pin package [BA7046F, BA7071F]

●Applications

VCR, Movies, LCD TV etc.

●Line up matrix

Part. No.	Supply Voltage (V)	Circuit Current (mA)	Minimum Sync Separation Level (Vpp)	Capture Range (kHz)	Lock-in Phase difference (μ s)	H_D, V_D Phase difference (μ s)	H_D Pulse width (μ s)	V_D Pulse width (μ s)	Package
BA7046F	4.5 ~ 5.5	4.1	0.08	± 2.9	0	23.5	5.1	230	SOP8
BA7071F	2.85 ~ 7.5	5.8	0.08	± 2.7	1.6	24	10	254	SOP8

●Absolute maximum ratings(Ta=25°C)



















Parameter	Symbol	Ratings	Unit
Supply voltage	Vcc	8.0	V
Power dissipation	Pd	350 ※	mW
Operating temperature	Topr	-20 ~ 75	°C
Storage temperature	Tstg	-55 ~ 125	°C

※: Derating is done at 3.5mW/°C above Ta=25°C.

●Operating Range(Ta=25°C)

Parameter	Symbol	Ratings		Unit
		BA7046F	BA7071F	
Supply voltage	Vcc	4.5 ~ 5.5	2.85 ~ 7.5	V

●Electrical characteristics (Unless otherwise noted Ta=25°C and VCC=5.0V)

Parameter	Symbol	Typ.		Unit	Conditions
		BA7046F	BA7071F		
Quiescent current	I _Q	4.1	5.8	mA	Pin 3 open (BA7046F)
					Pin 8 open (BA7071F)
Minimum sync separation level	V _{syn-Min}	0.08	0.08	Vp-p	On 6pin 75Ω terminated input (BA7046F)
					On 1pin 75Ω terminated input (BA7071F)
Pulse voltage, Low	V _{P-L}	0.1	0.1	V	2pin, 4pin (BA7046F)
					2pin, 7pin (BA7071F)
Pulse voltage, High	V _{P-H}	4.9	5.0	V	2pin, 4pin (BA7046F)
					2pin, 7pin (BA7071F)
Horizontal free-run frequency	F _{HO}	15.7	15.7	kHz	When inputting no signal
Capture range	ΔF _{CAP}	±2.9	±2.7	kHz	—
Lock-in phase difference	T _{HPH}	0	1.6	μs	From pin 2  to pin 6  (BA7046F)
					From pin 2  to pin 1  (BA7071F)
HD, VD phase difference1	T _{HVD1}	23.5	24.0	μs	From pin 4  to pin 2  (BA7046F)
					From pin 7  to pin 2  (FLD1) (BA7071F)
HD, VD phase difference2	T _{HVD2}	—	24.0	μs	—
					From pin 7  to pin 2  (FLD1) (BA7071F)
HD pulse width	T _{HD}	5.1	10.0	μs	pin 2  
VD pulse width	T _{VD}	230	254	μs	pin 4   (BA7046F)
					pin 7   (BA7071F)
VIN,VD phase difference 2	T _{INVD}	—	48	μs	—
					From pin 1  to pin 7  (BA7071F)

●Block diagram

BA7046F

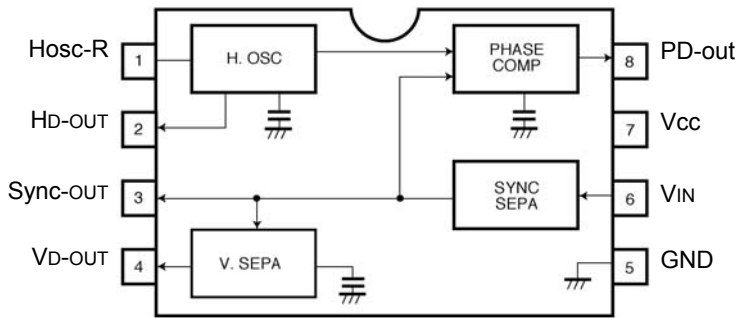


Fig.1

BA7071F

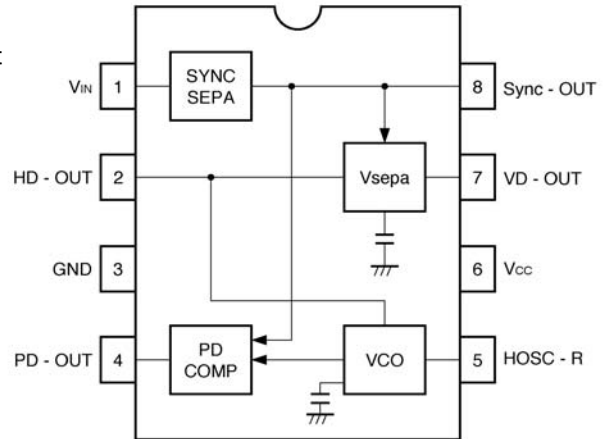


Fig.2

●Description of operations

1) Synchronization signal separation circuit

The synchronization signal separation circuit detects the charge/discharge current of an external capacitor and performs synchronization separation.

2) Horizontal oscillator

When a video signal is input, this circuit synchronizes it with Hsync by a PLL circuit.

The horizontal free-run frequency is determined by the external resistance R1.

$$f_{HO} = 2.05 \times 10^6 / R1 \text{ (BA7046F)}$$

$$f_{HO} = 1.57 \times 10^6 / R1 \text{ (BA7071F)}$$

3) Vertical synchronization signal separation circuit

When a video signal is input, this circuit performs synchronization separation of the vertical synchronization signal.

Timing Chart for V_{IN} , H_D , and V_D

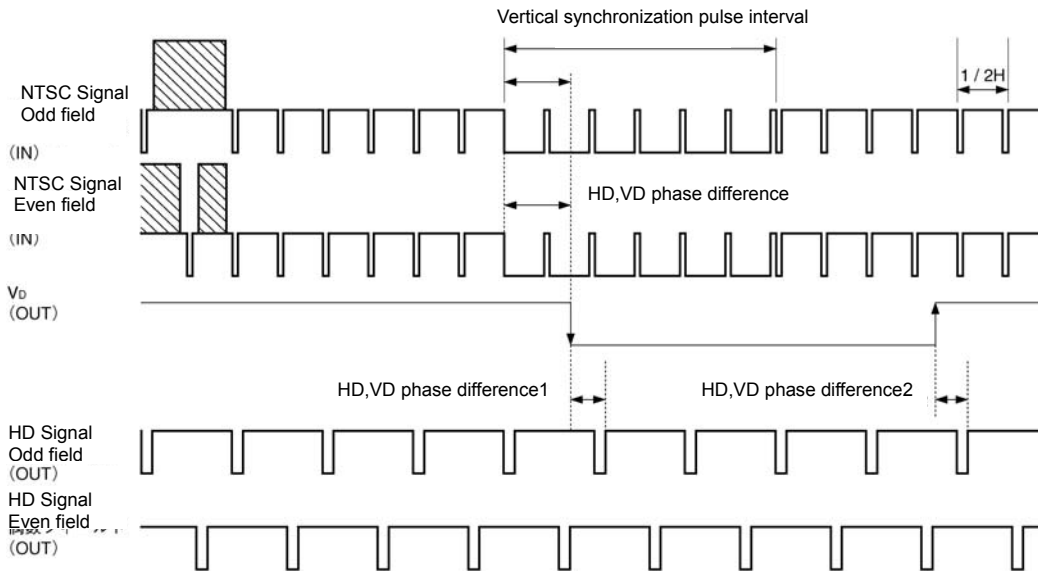


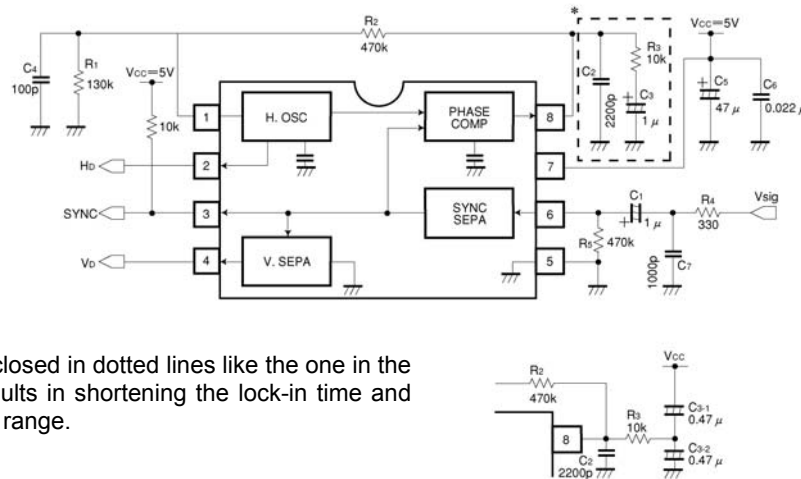
Fig.3

- 1) The rising and falling locations of V_D basically are the same in odd- and even-numbered fields.
- 2) H_D slips $1/2H$ between odd- and even-numbered fields.
- 3) Only the odd-numbered fields are mentioned in specs.

●Pin descriptions

PIN NO.	BA7046F		BA7071	
	Pin name/Function	Input/output circuits	Pin name/Function	Input/output circuits
1	HOSC-R Horizontal oscillation resistance pin		VIN Video input	
2	HD-OUT HD output		HD-OUT HD output	
3	Sync-OUT Synchronization signal output pin		GND	—
4	VD-OUT VD output		PD-OUT Phase comparator output pin	
5	GND	—	HOSC-R Horizontal oscillator resistor	
6	VIN Video input		Vcc Power supply	—
7	Vcc Power supply	—	VD-OUT VD output	
8	PD-OUT Phase comparator output		Sync-OUT Synchronization signal output	

●Application Circuit
BA7046F



Making the circuit enclosed in dotted lines like the one in the figure to the right results in shortening the lock-in time and enlarging the capture range.

Fig.4

When using only SYNC SEPA output (When H_D and V_D output is unused)

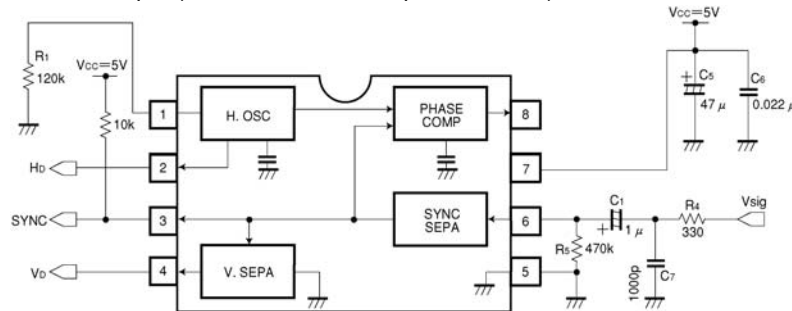


Fig.5

- 1) Connect resistance on the order of 120kΩ between the 1pin and GND.
Leave the 2pin, 4pin, and 8pin open.
- 2) SYNC (3pin) output is positive polarity.
- 3) The SYNC (3pin) output rise delay time with respect to the Sync fall of the V_{sig} (6pin) input signal is 850 ns (reference value).
- 4) The SYNC (3pin) output fall delay time with respect to the Sync rise of the V_{sig} (6pin) input signal is 450 ns (reference value).

BA7071F

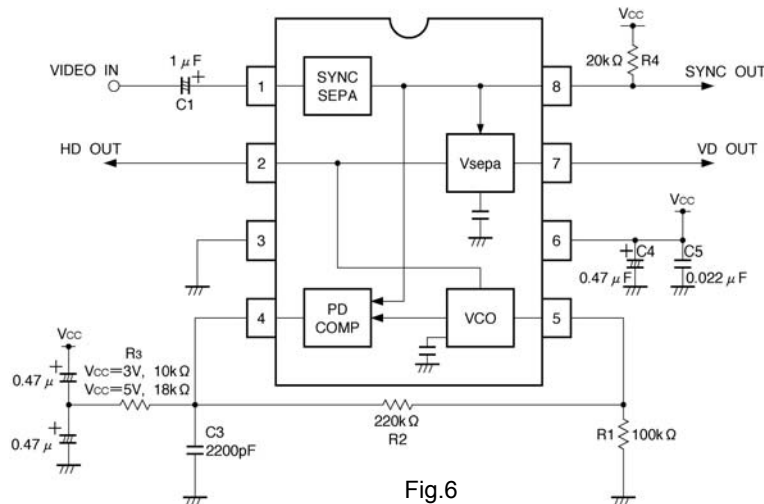


Fig.6

When using only SYNC SEPA output (When HD and VD output is unused)

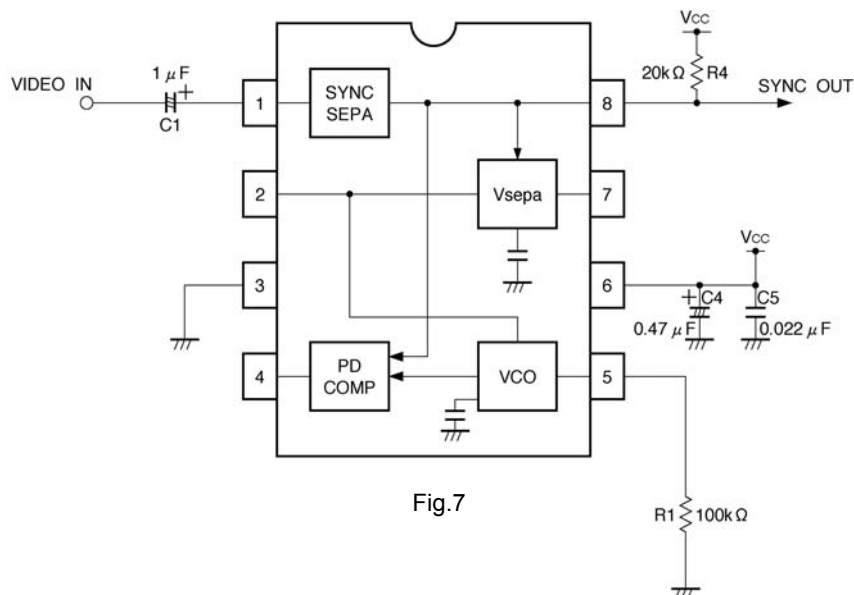


Fig.7

- 1) Connect resistance of 100k Ω between the 5pin and GND.
Leave the 2pin, 4pin, and 7pin open.
- 2) SYNC OUT (8pin) output is positive polarity.
- 3) The SYNC OUT (8pin) output rise delay time with respect to the Sync fall of the VIDEO IN (1pin) input signal is
830 ns (reference value) if Vcc=5 V
880 ns (reference value) if Vcc=3 V
- 4) The SYNC OUT (8pin) output with respect to the Sync rise of the VIDEO IN (1pin) input signal is
150 ns (reference value) if Vcc=5 V
220 ns (reference value) if Vcc=3 V
- 5) For R1, use resistors for which the allowable difference is within $\pm 2\%$ and the temperature coefficient is within ± 100 ppm.

●Reference data

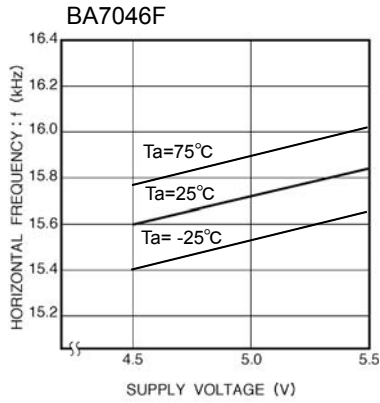


Fig.8 Horizontal Free running Frequency vs. Power supply voltage

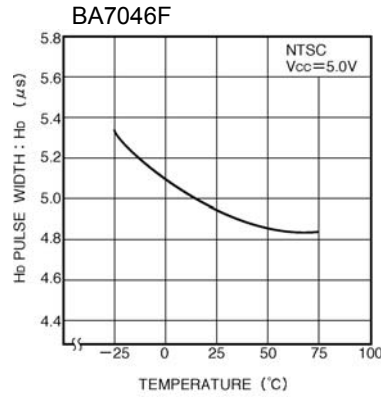


Fig.9 Hd pulse width vs. Temperature

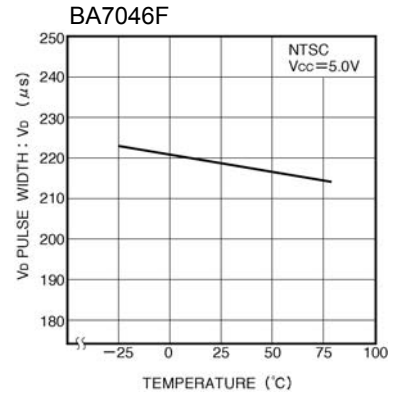


Fig.10 Vd pulse width vs. Temperature

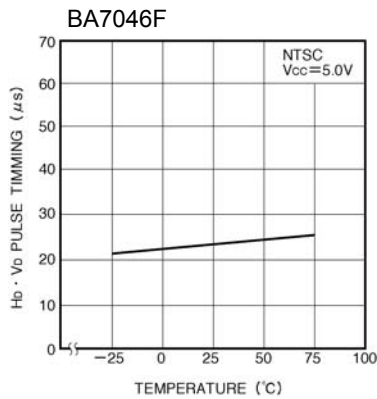


Fig.11 Vd · Hd phase difference vs. Temperature

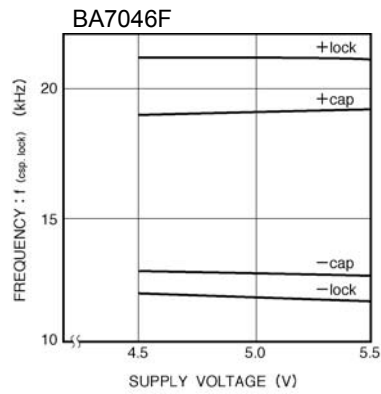


Fig.12 Capture range/lock range vs. Power supply voltage

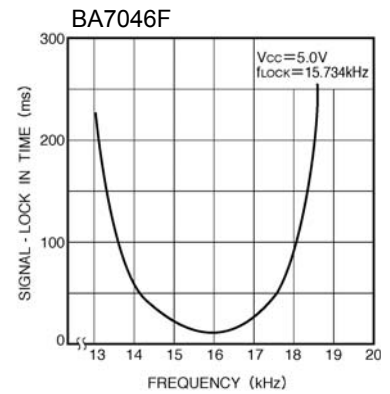


Fig.13 Time from no signal to pull in

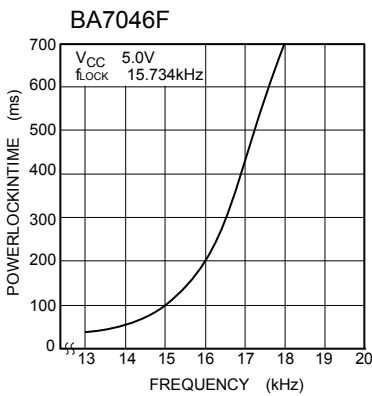


Fig.14 Time from power on to pull in

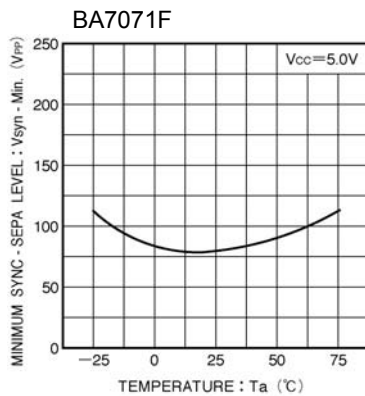


Fig.15 Minimum synchronization separation level vs. Temperature

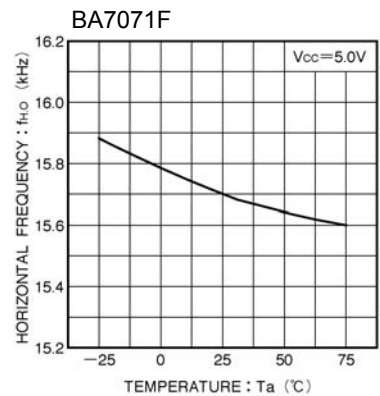


Fig.16 Horizontal free-running frequency vs. Temperature

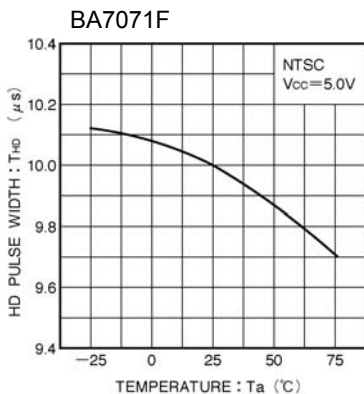


Fig.17 Hd pulse width vs. Temperature

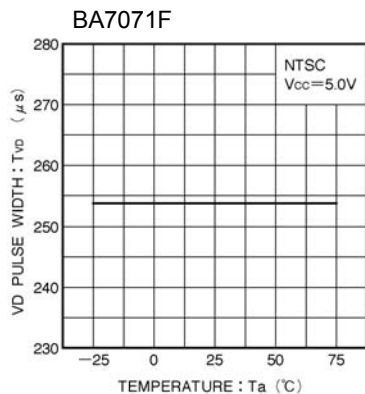


Fig.18 Vd pulse width vs. Temperature

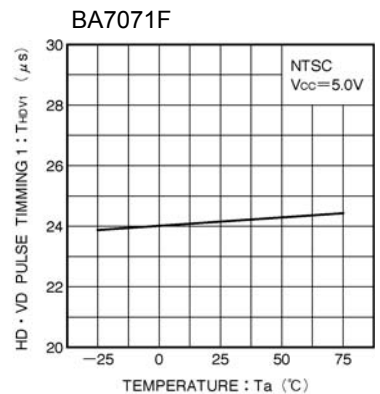


Fig.19 Hd · Vd phase difference vs. Temperature

●Notes for use

- 1) Numbers and data in entries are representative design values and are not guaranteed values of the items.
- 2) Although we are confident in recommending the sample application circuits, carefully check their characteristics further when using them. When modifying externally attached component constants before use, determine them so that they have sufficient margins by taking into account variations in externally attached components and the Rohm LSI, not only for static characteristics but also including transient characteristics.
- 3) Absolute maximum ratings
If applied voltage, operating temperature range, or other absolute maximum ratings are exceeded, the LSI may be damaged. Do not apply voltages or temperatures that exceed the absolute maximum ratings. If you think of a case in which absolute maximum ratings are exceeded, enforce fuses or other physical safety measures and investigate how not to apply the conditions under which absolute maximum ratings are exceeded to the LSI.
- 4) GND potential
Make the GND pin voltage such that it is the lowest voltage even when operating below it. Actually confirm that the voltage of each pin does not become a lower voltage than the GND pin, including transient phenomena.
- 5) Thermal design
Perform thermal design in which there are adequate margins by taking into account the allowable power dissipation in actual states of use.
- 6) Shorts between pins and misinstallation
When mounting the LSI on a board, pay adequate attention to orientation and placement discrepancies of the LSI. If it is misinstalled and the power is turned on, the LSI may be damaged. It also may be damaged if it is shorted by a foreign substance coming between pins of the LSI or between a pin and a power supply or a pin and a GND.
- 7) Operation in strong magnetic fields
Adequately evaluate use in a strong magnetic field, since there is a possibility of malfunction.

●Ordering part number

B	A
---	---

Part No.

7	0	4	6
---	---	---	---

Part No.
7046
7071

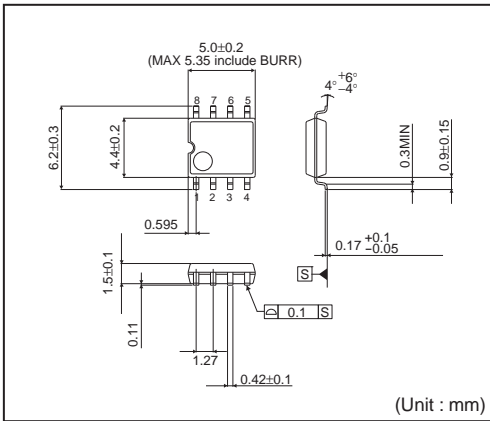
F

Package
F :SOP8

E	2
---	---

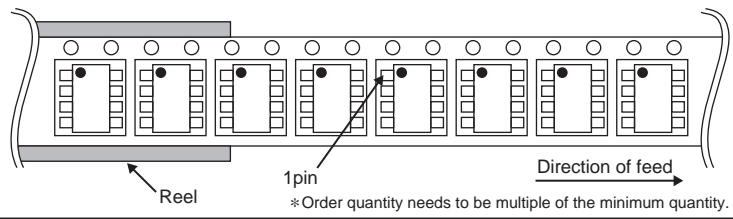
Packaging and forming specification
E2: Embossed tape and reel

SOP8



<Tape and Reel information>

Tape	Embossed carrier tape
Quantity	2500pcs
Direction of feed	E2 (The direction is the 1pin of product is at the upper left when you hold reel on the left hand and you pull out the tape on the right hand)



Notes

No copying or reproduction of this document, in part or in whole, is permitted without the consent of ROHM Co.,Ltd.

The content specified herein is subject to change for improvement without notice.

The content specified herein is for the purpose of introducing ROHM's products (hereinafter "Products"). If you wish to use any such Product, please be sure to refer to the specifications, which can be obtained from ROHM upon request.

Examples of application circuits, circuit constants and any other information contained herein illustrate the standard usage and operations of the Products. The peripheral conditions must be taken into account when designing circuits for mass production.

Great care was taken in ensuring the accuracy of the information specified in this document. However, should you incur any damage arising from any inaccuracy or misprint of such information, ROHM shall bear no responsibility for such damage.

The technical information specified herein is intended only to show the typical functions of and examples of application circuits for the Products. ROHM does not grant you, explicitly or implicitly, any license to use or exercise intellectual property or other rights held by ROHM and other parties. ROHM shall bear no responsibility whatsoever for any dispute arising from the use of such technical information.

The Products specified in this document are intended to be used with general-use electronic equipment or devices (such as audio visual equipment, office-automation equipment, communication devices, electronic appliances and amusement devices).

The Products specified in this document are not designed to be radiation tolerant.

While ROHM always makes efforts to enhance the quality and reliability of its Products, a Product may fail or malfunction for a variety of reasons.

Please be sure to implement in your equipment using the Products safety measures to guard against the possibility of physical injury, fire or any other damage caused in the event of the failure of any Product, such as derating, redundancy, fire control and fail-safe designs. ROHM shall bear no responsibility whatsoever for your use of any Product outside of the prescribed scope or not in accordance with the instruction manual.

The Products are not designed or manufactured to be used with any equipment, device or system which requires an extremely high level of reliability the failure or malfunction of which may result in a direct threat to human life or create a risk of human injury (such as a medical instrument, transportation equipment, aerospace machinery, nuclear-reactor controller, fuel-controller or other safety device). ROHM shall bear no responsibility in any way for use of any of the Products for the above special purposes. If a Product is intended to be used for any such special purpose, please contact a ROHM sales representative before purchasing.

If you intend to export or ship overseas any Product or technology specified herein that may be controlled under the Foreign Exchange and the Foreign Trade Law, you will be required to obtain a license or permit under the Law.



Thank you for your accessing to ROHM product informations.
More detail product informations and catalogs are available, please contact us.

ROHM Customer Support System

<http://www.rohm.com/contact/>

Mouser Electronics

Authorized Distributor

Click to View Pricing, Inventory, Delivery & Lifecycle Information:

[ROHM Semiconductor:](#)

[BA7046F-E2](#) [BA7071F-E2](#)