

bq3060 SBS 1.1-Compliant Gas Gauge and Protection With CEDV

Not Recommended for New Designs

1 Features

- Advanced CEDV (Compensated End-of-Discharge Voltage) Gauging
- Fully Integrated 2, 3, and 4 Series Li-Ion or Li-Polymer Cell Battery Pack Manager
- 8-Bit RISC CPU With Ultra-Low Power Modes
- Full Array of Programmable Protection Features
 - Voltage, Current, and Temperature
- SHA-1 Authentication
- Flexible Memory Architecture With Integrated Flash Memory
- Supports Two-Wire SMBus v1.1 Interface With High-speed 400kHz Programming Option
- P-CH High Side Protection FET Drive
- Low Power Consumption Sleep Mode: < 69 μ A
- High-Accuracy Analog Front End With Two Independent ADCs
 - High-Resolution, 15–22-bit Integrator for Coulomb Counting
 - 16-Bit Delta-Sigma ADC With a 16-Channel Multiplexer for Voltage, Current, and Temperature
- Ultra Compact Package: 24-Pin TSSOP PW

2 Applications

- Netbook and Notebook PCs
- Medical and Test Equipment
- Portable Instruments

3 Description

The Texas Instruments bq3060 Battery Manager is a fully integrated, single-chip, pack-based solution that provides a rich array of features for gas gauging, protection, and authentication for 2, 3, or 4 series cell Li-Ion battery packs. With a footprint of merely 7.8 mm \times 6.4 mm in a compact 24-pin TSSOP package, the bq3060 maximizes functionality and safety while dramatically cutting the solution cost and size for smart batteries.

Using its integrated high-performance analog peripherals, the bq3060 measures and maintains an accurate record of available capacity, voltage, current, temperature, and other critical parameters in Li-Ion or Li-Polymer batteries, and reports the information to the system host controller over an SMBus 1.1-compatible interface.

The bq3060 provides software-first level and second level safety protection on overvoltage, undervoltage, overtemperature, and overcharge, as well as hardware-overcurrent in discharge, short circuit in charge, and discharge protection.

Device Information⁽¹⁾

PART NUMBER	PACKAGE	BODY SIZE (NOM)
bq3060	TSSOP (24)	4.4 mm \times 7.8 mm

(1) For all available packages, see the orderable addendum at the end of the data sheet.

System Partitioning Diagram

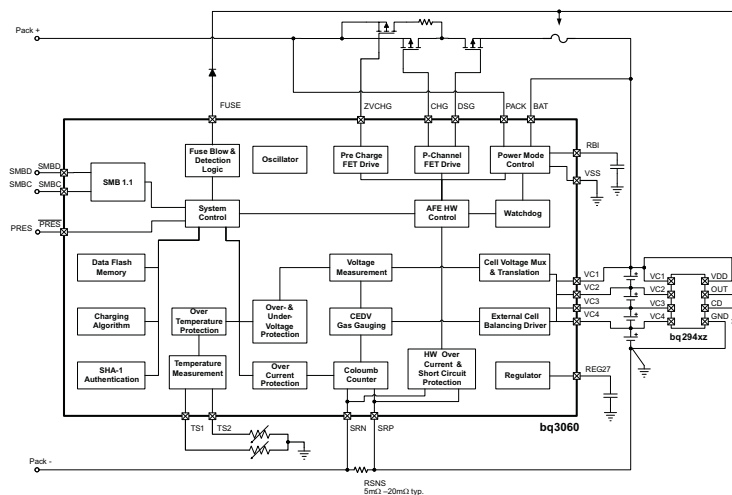


Table of Contents

1 Features	1	7 Detailed Description	11
2 Applications	1	7.1 Feature Description	11
3 Description	1	7.2 Device Functional Modes	13
4 Revision History	2	8 Device and Documentation Support	14
5 Pin Configuration and Functions	3	8.1 Documentation Support	14
6 Specifications	4	8.2 Receiving Notification of Documentation Updates ..	14
6.1 Absolute Maximum Ratings	4	8.3 Community Resources	14
6.2 ESD Ratings	4	8.4 Trademarks	14
6.3 Recommended Operating Conditions	4	8.5 Electrostatic Discharge Caution	14
6.4 Thermal Information	5	8.6 Glossary	14
6.5 Electrical Characteristics	5	9 Mechanical, Packaging, and Orderable Information	14

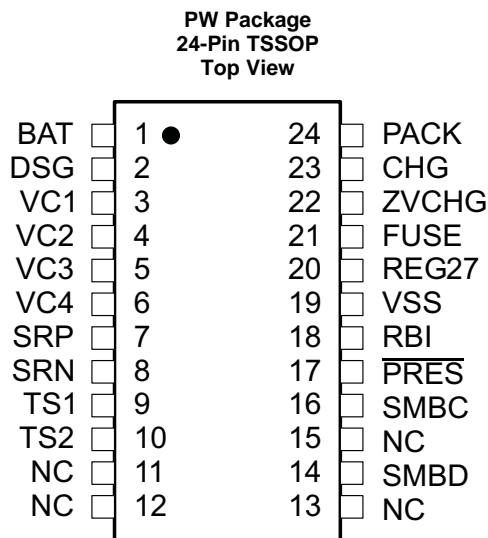
4 Revision History

NOTE: Page numbers for previous revisions may differ from page numbers in the current version.

Changes from Revision A (November 2009) to Revision B	Page
• Added <i>ESD Ratings</i> table, <i>Feature Description</i> section, <i>Device Functional Modes</i> , section, <i>Device and Documentation Support</i> section, and <i>Mechanical, Packaging, and Orderable Information</i> section	1
• Changed Device From: Production To: NRND	1

Changes from Original (March 2009) to Revision A	Page
• Changed Device From: Product Preview To: Production	1

5 Pin Configuration and Functions



Pin Functions

PIN		I/O	DESCRIPTION
NAME	NO.		
BAT	1	P	Power input from battery
DSG	2	O	P-CH FET Drive controlling discharge
VC1	3	IA	Sense voltage input terminal and external cell balancing drive output for most positive cell, and battery stack measurement input.
VC2	4	IA	Sense voltage input terminal and external cell balancing drive output for second most positive cell.
VC3	5	IA	Sense voltage input terminal and external cell balancing drive output for third most positive cell.
VC4	6	IA	Sense voltage input terminal and external cell balancing drive output for least positive cell.
SRP	7	IA	Analog input pin connected to the internal coulomb-counter peripheral for integrating a small voltage between SRP and SRN where SRP is the top of the sense resistor.
SRN	8	IA	Analog input pin connected to the internal coulomb-counter peripheral for integrating a small voltage between SRP and SRN where SRN is the bottom of the sense resistor.
TS1	9	I/O,IA	Thermistor input TS1
TS2	10	I/O,IA	Thermistor input TS2
NC	11	—	Keep this pin floating
NC	12	—	Keep this pin floating
NC	13	—	Keep this pin floating
SMBD	14	I/OD	SMBus data pin
NC	15	—	Keep this pin floating
SMBC	16	I/OD	SMBus clock pin
$\overline{\text{PRES}}$	17	I/OD	Active low input to sense system insertion and typically requires additional ESD protection
RBI	18	P	RAM backup pin to provide backup potential to the internal DATA RAM if power is momentarily lost by using a capacitor attached between RBI and VSS
VSS	19	P	Device ground
REG27	20	P	Internal power supply 2.7V bias output
FUSE	21	I/OD	Push-pull fuse drive and secondary protector activation input sensing
ZVCHG	22	O	P-CH precharge FET Drive controlling pre-charge and zero-volt charge
CHG	23	O	P-CH FET Drive controlling charge
PACK	24	P	PACK positive terminal and alternative power source

6 Specifications

6.1 Absolute Maximum Ratings

Over operating free-air temperature range (unless otherwise noted)⁽¹⁾

			MIN	MAX	UNIT
V _{MAX}	Supply voltage range	PACK w.r.t. V _{SS}	-0.3	34	V
V _{IN}	Input voltage range	VC1, BAT	V _{VC2} -0.3	V _{VC2} +8.5 or 34, whichever is lower	V
		VC2	V _{VC3} -0.3	V _{VC3} +8.5	V
		VC3	V _{VC4} -0.3	V _{VC4} +8.5	V
		VC4	V _{SRP} -0.3	V _{SRP} +8.5	V
		SRP, SRN	-0.3	V _{REG27}	V
		SMBD, SMBC	-0.3	6	V
		TS1, TS2, /PRES	-0.3	V _{REG27} + 0.3	V
V _O	Output voltage range	CHG, DSG, ZVCHG, FUSE	-0.3	BAT	V
		RBI, REG27	-0.3	2.75	V
I _{SS}	Maximum combined sink current for input pins			50	mA
T _{FUNC}	Functional temperature		-40	110	°C
T _{STG}	Storage temperature		-65	150	°C

- (1) Stresses beyond those listed under *absolute maximum ratings* may cause permanent damage to the device. These are stress ratings only, and functional operation of the device at these or any other conditions beyond those indicated under *recommended operating conditions* is not implied. Exposure to absolute–maximum–rated conditions for extended periods may affect device reliability.

6.2 ESD Ratings

		VALUE	UNIT
V _(ESD)	Electrostatic discharge	Human-body model (HBM), per ANSI/ESDA/JEDEC JS-001 ⁽¹⁾	±2000
		Charged-device model (CDM), per JEDEC specification JESD22-C101 ⁽²⁾	±500

- (1) JEDEC document JEP155 states that 500-V HBM allows safe manufacturing with a standard ESD control process. Manufacturing with less than 500-V HBM is possible with the necessary precautions. Pins listed as ±2000 V may actually have higher performance.
- (2) JEDEC document JEP157 states that 250-V CDM allows safe manufacturing with a standard ESD control process. Manufacturing with less than 250-V CDM is possible with the necessary precautions. Pins listed as ±500 V may actually have higher performance.

6.3 Recommended Operating Conditions

over operating free-air temperature range (unless otherwise noted)

		MIN	TYP	MAX	UNIT	
Supply voltage	PACK			25	V	
	BAT	3.8		V _{VC2} +5		
V _{STARTUP}	Start up voltage at PACK		5.2	5.5	V	
V _{shutdown}	VPACK or VBAT, whichever is higher		3	3.2	3.3	V
V _{IN}	Input voltage range	VC1, BAT	V _{VC2}	V _{VC2} +5	V	
		VC2	V _{VC3}	V _{VC3} +5		
		VC3	V _{VC4}	V _{VC4} +5		
		VC4	V _{SRP}	V _{SRP} +5		
		VC _n – VC _(n+1) , (n=1, 2, 3, 4)	0	5		
		PACK		25		
		SRP to SRN	-0.3			1
C _{REG27}	External 2.7V REG capacitor		1		μF	
T _{OPR}	Operating temperature		-40	85	°C	

6.4 Thermal Information

THERMAL METRIC ⁽¹⁾		bq3060	
		PW (TSSOP)	
		24 PINS	
			UNIT
R _{θJA}	Junction-to-ambient thermal resistance	83.6	°C/W
R _{θJC(top)}	Junction-to-case (top) thermal resistance	16.5	°C/W
R _{θJB}	Junction-to-board thermal resistance	39.4	°C/W
ψ _{JT}	Junction-to-top characterization parameter	0.4	°C/W
ψ _{JB}	Junction-to-board characterization parameter	38.8	°C/W
R _{θJC(bot)}	Junction-to-case (bottom) thermal resistance	–	°C/W

(1) For more information about traditional and new thermal metrics, see the [Semiconductor and IC Package Thermal Metrics](#) application report.

6.5 Electrical Characteristics

Typical values stated where T_A = 25°C and V_{BAT} = V_{PACK} = 14.4 V, Minimum/Maximum values stated where T_A = –40°C to 85°C and V_{BAT} = V_{PACK} = 3.8 V to 25 V (unless otherwise noted)

PARAMETER	TEST CONDITION	MIN	TYP	MAX	UNIT			
GENERAL PURPOSE I/O								
V _{IH}	High-level input voltage	/PRES, SMBD, SMBC, TS1, TS2			2	V		
V _{IL}	Low-level input voltage	/PRES, SMBD, SMBC, TS1, TS2			0.8	V		
V _{OH}	Output voltage high	/PRES, SMBD, SMBC, TS1, TS2, I _L = –0.5 mA			V _{REG27} –0.5	V		
V _{OH(FUSE)}	High level fuse output	V _{BAT} = 3.8 V to 9 V, C _L = 1 nF			3	V _{BAT} –0.3	8.6	V
		V _{BAT} = 9 V to 25 V, C _L = 1nF			7.5	8	9	
t _{R(FUSE)}	FUSE output rise time	C _L = 1 nF, V _{OH(FUSE)} = 0 V to 5 V				10	μs	
Z _{O(FUSE)}	FUSE output impedance					2	6	kΩ
V _{FUSE_DET}	FUSE detect input voltage				0.8	2	3.2	V
V _{OL}	Low-level output voltage	/PRES, SMBD, SMBC, TS1, TS2, I _L = 7 mA					0.4	V
C _{IN}	Input capacitance					5		pF
I _{lkg}	Input leakage current	/PRES, SMBD, SMBC, TS1, TS2 SMBD and SMBC pull-down disabled					1	μA
R _{PD(SMBx)}	SMBD and SMBC pull-down	T _A = –40°C to 100°C			600	950	1300	kΩ
R _{PAD}	Pad resistance	TS1, TS2				87	110	Ω
SUPPLY CURRENT								
I _{CC}	Normal mode	Firmware running, no flash writes				441		μA
I _{SLEEP}	Sleep mode	Discharge FET ON, Charge FET ON ([NR]=1, [NRCHG]=1)				69		μA
		Discharge FET ON, Charge FET OFF ([NR]=1, [NRCHG]=0)				66		
		Discharge FET OFF, Charge FET OFF ([NR]=0, System not present)				61		
I _{SHUTDOWN}	Shutdown mode	T _A = –40°C to 110°C				0.5	1	μA
REG27 POWER ON RESET								
V _{REG27IT–}	Negative-going voltage input	At REG27			2.22	2.35	2.34	V
V _{REG27IT+}	Positive-going voltage input	At REG27			2.25	2.5	2.6	V
INTERNAL LDO								
V _{REG}	Regulator output voltage	I _{REG27} = 10 mA; T _A = –40°C to 85°C			2.5	2.7	2.75	V
ΔV _(REGTEMP)	Regulator output change with temperature	I _{REG} = 10 mA; T _A = –40°C to 85°C				±0.5%		
ΔV _(REGLINE)	Line regulation	I _{REG} = 10 mA				±2	±4	mV
ΔV _(REGLOAD)	Load regulation	I _{REG} = 0.2 to 10 mA				±20	±40	mV

bq3060

SLUS928B – MARCH 2009 – REVISED JULY 2016

www.ti.com

Electrical Characteristics (continued)

Typical values stated where $T_A = 25^\circ\text{C}$ and $V_{BAT} = V_{PACK} = 14.4\text{ V}$, Minimum/Maximum values stated where $T_A = -40^\circ\text{C}$ to 85°C and $V_{BAT} = V_{PACK} = 3.8\text{ V}$ to 25 V (unless otherwise noted)

PARAMETER	TEST CONDITION	MIN	TYP	MAX	UNIT	
$I_{(\text{REGMAX})}$	Current limit	25		50	mA	
SRx WAKE FROM SLEEP						
$V_{\text{WAKE_ACR}}$	Accuracy of V_{WAKE}	$V_{\text{WAKE}} = 1.2\text{ mV}$	0.2	1.2	2	mV
		$V_{\text{WAKE}} = 2.4\text{ mV}$	0.4	2.4	3.6	
		$V_{\text{WAKE}} = 5\text{ mV}$	2	5	6.8	
		$V_{\text{WAKE}} = 10\text{ mV}$	5.3	10	13	
$V_{\text{WAKE_TCO}}$	Temperature drift of V_{WAKE} accuracy		0.5		$\%/\text{C}$	
t_{WAKE}	Time from application of current and wake of bq3060		0.2	1	ms	
COULOMB COUNTER						
Input voltage range		-0.20		0.25	V	
Conversion time	Single conversion		250		ms	
Effective resolution	Single conversion	15			Bits	
Integral nonlinearity	$T_A = -25^\circ\text{C}$ to 85°C		± 0.007	± 0.034	$\% \text{FSR}$	
Offset error ⁽¹⁾	$T_A = -25^\circ\text{C}$ to 85°C		10		μV	
Offset error drift			0.3	0.5	$\mu\text{V}/\text{C}$	
Full-scale error ⁽²⁾		-0.8%	0.2%	0.8%		
Full-scale error drift				150	PPM/ $^\circ\text{C}$	
Effective input resistance		2.5			M Ω	
ADC						
Input voltage range		-0.2		$0.8 \times V_{\text{RE}}/G_{27}$	V	
Conversion time			31.5		ms	
Resolution (no missing codes)		16			Bits	
Effective resolution		14	15		Bits	
Integral nonlinearity				± 0.020	$\% \text{FSR}$	
Offset error ⁽³⁾			70	160	M μV	
Offset error drift			1		$\mu\text{V}/\text{C}$	
Full-scale error	$V_{\text{IN}} = 1\text{ V}$	-0.8%	$\pm 0.2\%$	0.4%		
Full-scale error drift				150	PPM/ $^\circ\text{C}$	
Effective input resistance		8			M Ω	
EXTERNAL CELL BALANCE DRIVE						
$R_{\text{BAL_drive}}$	Internal pull-down resistance for external cell balance	Cell balance ON for VC1, $V_{\text{Ci}} - V_{\text{Ci}+1} = 4\text{ V}$, where $i = 1-4$		5.7		k Ω
		Cell balance ON for VC2, $V_{\text{Ci}} - V_{\text{Ci}+1} = 4\text{ V}$, where $i = 1-4$		3.7		
		Cell balance ON for VC3, $V_{\text{Ci}} - V_{\text{Ci}+1} = 4\text{ V}$, where $i = 1-4$		1.75		
		Cell balance ON for VC4, $V_{\text{Ci}} - V_{\text{Ci}+1} = 4\text{ V}$, where $i = 1-4$		0.85		
CELL VOLTAGE MONITOR						
CELL Voltage Measurement Accuracy ⁽⁴⁾	$T_A = -10^\circ\text{C}$ to 60°C		± 10	± 20	mV	
	$T_A = -40^\circ\text{C}$ to 85°C		± 10	± 35		

(1) Post Calibration Performance

(2) Uncalibrated performance. This gain error can be eliminated with external calibration.

(3) Channel to channel offset

(4) This is the performance expected for non-calibrated device.

Electrical Characteristics (continued)

Typical values stated where $T_A = 25^\circ\text{C}$ and $V_{BAT} = V_{PACK} = 14.4\text{ V}$, Minimum/Maximum values stated where $T_A = -40^\circ\text{C}$ to 85°C and $V_{BAT} = V_{PACK} = 3.8\text{ V}$ to 25 V (unless otherwise noted)

PARAMETER	TEST CONDITION	MIN	TYP	MAX	UNIT
INTERNAL TEMPERATURE SENSOR					
$T_{(TEMP)}$	Temperature sensor accuracy		±3%		°C
THERMISTOR MEASUREMENT SUPPORT					
R_{ERR}	Internal resistor drift		-230		ppm/°C
R	Internal resistor	TS1, TS2	17	20	kΩ
INTERNAL THERMAL SHUTDOWN⁽⁵⁾					
T_{MAX}	Maximum REG27 temperature		125	175	°C
$T_{RECOVER}$	Recovery hysteresis temperature		10		°C
HIGH FREQUENCY OSCILLATOR					
$f_{(OSC)}$	Operating frequency of CPU clock		2.097		MHz
$f_{(EIO)}$	Frequency error ⁽⁶⁾	$T_A = -20^\circ\text{C}$ to 70°C	-2%	±0.25%	2%
		$T_A = -40^\circ\text{C}$ to 85°C	-3%	±0.25%	3%
$t_{(SXO)}$	Start-up time ⁽⁷⁾	$T_A = -25^\circ\text{C}$ to 85°C	3	6	ms
LOW FREQUENCY OSCILLATOR					
$f_{(LOSC)}$	Operating frequency		32.768		MHz
$f_{(LEIO)}$	Frequency error ⁽⁶⁾	$T_A = -20^\circ\text{C}$ to 70°C	-1.5%	±0.25%	1.5%
		$T_A = -40^\circ\text{C}$ to 85°C	-2.5%	±0.25%	2.5%
$t_{(LSXO)}$	Start-up time ⁽⁸⁾	$T_A = -25^\circ\text{C}$ to 85°C		100	ms
FLASH⁽⁹⁾					
	Data retention		10		Years
	Flash programming write-cycles		20k		Cycles
$t_{(ROWPROG)}$	Row programming time			2	ms
$t_{(MASSERASE)}$	Mass-erase time			250	ms
$t_{(PAGEERASE)}$	Page-erase time			25	ms
$I_{CC(PROG)}$	Flash-write supply current		4	6	mA
$I_{CC(ERASE)}$	Flash-erase supply current	$T_A = -40^\circ\text{C}$ to 0°C		8	22
		$T_A = 0^\circ\text{C}$ to 85°C		3	15
RAM BACKUP					
$I_{(RBI)}$	RBI data-retention input current	$V_{RBI} > V_{(RBI)MIN}$, $V_{REG27} < V_{REG27IT}$, $T_A = 70^\circ\text{C}$ to 110°C		20	1500
		$V_{RBI} > V_{(RBI)MIN}$, $V_{REG27} < V_{REG27IT}$, $T_A = -40^\circ\text{C}$ to 70°C			500
$V_{(RBI)}$	RBI data-retention voltage ⁽⁹⁾		1		V
CURRENT PROTECTION THRESHOLDS					
$V_{(OCD)}$	OCD detection threshold voltage range, typical	RSNS = 0; RSNS is set in STATE_CTL register	50		200
		RSNS = 1; RSNS is set in STATE_CTL register	25		100

(5) Parameters assured by design. Not production tested.

(6) The frequency drift is included and measured from the trimmed frequency at $V_{BAT} = V_{PACK} = 14.4\text{ V}$, $T_A = 25^\circ\text{C}$

(7) The startup time is defined as the time it takes for the oscillator output frequency to be ±3% when the device is already powered.

(8) The startup time is defined as the time it takes for the oscillator output frequency to be ±3%.

(9) Specified by design. Not production tested

Electrical Characteristics (continued)

Typical values stated where $T_A = 25^\circ\text{C}$ and $V_{BAT} = V_{PACK} = 14.4\text{ V}$, Minimum/Maximum values stated where $T_A = -40^\circ\text{C}$ to 85°C and $V_{BAT} = V_{PACK} = 3.8\text{ V}$ to 25 V (unless otherwise noted)

PARAMETER	TEST CONDITION	MIN	TYP	MAX	UNIT	
$\Delta V_{(OCDT)}$	OCD detection threshold voltage program step		10		mV	
	RSNS = 1; RSNS is set in STATE_CTL register		5			
$V_{(SCCT)}$	SCC detection threshold voltage range, typical	-100		-300	mV	
	RSNS = 1; RSNS is set in STATE_CTL register	-50		-225		
$\Delta V_{(SCCT)}$	SCC detection threshold voltage program step		-50		mV	
	RSNS = 1; RSNS is set in STATE_CTL register		-25			
$V_{(SCDT)}$	SCD detection threshold voltage range, typical	100		450	mV	
	RSNS = 1; RSNS is set in STATE_CTL register	50		225		
$\Delta V_{(SCDT)}$	SCD detection threshold voltage program step		50		mV	
	RSNS = 1; RSNS is set in STATE_CTL register		25			
$V_{(OFFSET)}$	SCD, SCC and OCD offset	-10		10	mV	
$V_{(Scale_Err)}$	SCD, SCC and OCD scale error	-10%		10%		
CURRENT PROTECTION TIMING						
$t_{(OCDD)}$	Overcurrent in discharge delay		1	31	ms	
$t_{(OCDD_STEP)}$	OCDD step options		2		ms	
$t_{(SCDD)}$	Short circuit in discharge delay	AFE.STATE_CNTL[SCDDx2] = 0	0	915	μs	
		AFE.STATE_CNTL[SCDDx2] = 1	0	1830		
$t_{(SCDD_STEP)}$	SCDD step options	AFE.STATE_CNTL[SCDDx2] = 0	61		μs	
		AFE.STATE_CNTL[SCDDx2] = 1	122			
$t_{(SCCD)}$	Short circuit in charge delay		0	915	μs	
$t_{(SCCD_STEP)}$	SCCD step options		61		μs	
$t_{(DETECT)}$	Current fault detect time	$V_{SRP-SRN} = V_{THRESH} + 12.5\text{ mV}$, $T_A = -40^\circ\text{C}$ to 85°C	35	160	μs	
t_{ACC}	Overcurrent and short circuit delay time accuracy	Accuracy of typical delay time with WDI active	-20%	20%		
		Accuracy of typical delay time with no WDI input	-50%	50%		
P-CH FET DRIVE						
$V_{(FETON)}$	Output voltage, charge and discharge FETs on	$V_{(FETONDSG)} = V_{(BAT)} - V_{(DSG)}$, $R_{GS} = 1\text{M}\Omega$, $T_A = -40^\circ\text{C}$ to 110°C , $BAT = 20\text{ V}^{(10)}$	12	15	18	V
		$V_{(FETONCHG)} = V_{(PACK)} - V_{(CHG)}$, $R_{GS} = 1\text{M}\Omega$, $T_A = -40^\circ\text{C}$ to 110°C , $PACK = 20\text{ V}^{(10)}$	12	15	18	
$V_{(FETOFF)}$	Output voltage, charge and discharge FETs off	$V_{(FETOFFDSG)} = V_{(BAT)} - V_{(DSG)}$, $T_A = -40^\circ\text{C}$ to 110°C , $BAT = 16\text{ V}$			0.2	V
		$V_{(FETOFFCHG)} = V_{(PACK)} - V_{(CHG)}$, $T_A = -40^\circ\text{C}$ to 110°C , $PACK = 16\text{ V}$			0.2	
t_r	Rise time	$C_L = 4700\text{ pF}$; V_{DSG} : 10% to 90%		70	200	μs
		$C_L = 4700\text{ pF}$; V_{CHG} : 10% to 90%		70	200	

(10) For a V_{BAT} or V_{PACK} input range of 3.8 V to 25 V, MIN $V_{(FETON)}$ voltage is 12 V or $V_{(BAT)} - 1\text{ V}$, whichever is less.

Electrical Characteristics (continued)

Typical values stated where $T_A = 25^\circ\text{C}$ and $V_{BAT} = V_{PACK} = 14.4\text{ V}$, Minimum/Maximum values stated where $T_A = -40^\circ\text{C}$ to 85°C and $V_{BAT} = V_{PACK} = 3.8\text{ V}$ to 25 V (unless otherwise noted)

PARAMETER	TEST CONDITION	MIN	TYP	MAX	UNIT	
t_f Fall time	$C_L = 4700\text{ pF}$; V_{DSG} : 10% to 90%		70	200	μs	
	$C_L = 4700\text{ pF}$; V_{CHG} : 10% to 90%		70	200		
PRE-CHARGE/ZVCHG FET DRIVE						
$V_{(PreCHGON)}$	$V_{O(PreCHGON)} = V_{(PACK)} - V_{(ZVCHG)}$, pre-charge FET on ⁽¹¹⁾	$R_{GS} = 1\text{ M}\Omega$, $T_A = -40^\circ\text{C}$ to 110°C	12	15	18	V
$V_{(PreCHGOFF)}$	Output voltage, pre-charge FET off ⁽¹¹⁾	$R_{GS} = 1\text{ M}\Omega$, $T_A = -40^\circ\text{C}$ to 110°C		VBAT-0.5		V
t_r Rise time	$C_L = 4700\text{ pF}$, $R_G = 5.1\text{ k}\Omega$, V_{ZVCHG} : 10% to 90%		80	200	μs	
t_f Fall time	$C_L = 4700\text{ pF}$, $R_G = 5.1\text{ k}\Omega$, V_{ZVCHG} : 90% to 10%		1.7		ms	
SMBus						
f_{SMB}	SMBus operating frequency	Slave mode, SMBC 50% duty cycle	10		100	kHz
f_{MAS}	SMBus master clock frequency	Master mode, no clock low slave extend		51.2		kHz
t_{BUF}	Bus free time between start and stop		4.7			μs
$t_{HD:STA}$	Hold time after (repeated) start		4			μs
$t_{SU:STA}$	Repeated start setup time		4.7			μs
$t_{SU:STO}$	Stop setup time		4			μs
$t_{HD:DAT}$	Data hold time	Receive mode	0			ns
		Transmit mode	300			
$t_{SU:DAT}$	Data setup time		250			ns
$t_{TIMEOUT}$	Error signal/detect	See ⁽¹²⁾	25		35	ms
t_{LOW}	Clock low period		4.7			μs
t_{HIGH}	Clock high period	See ⁽¹³⁾	4		50	μs
$t_{LOW:SEXT}$	Cumulative clock low slave extend time	See ⁽¹⁴⁾			10	ms
$t_{LOW:MEXT}$	Cumulative clock low master extend time	See ⁽¹⁵⁾			300	ns
t_F	Clock/data fall time	See ⁽¹⁶⁾			300	ns
t_R	Clock/data rise time	See ⁽¹⁷⁾			1000	ns
SMBus XL						
f_{SMBXL}	SMBus XL operating frequency	Slave mode	40		400	kHz
t_{BUF}	Bus free time between start and stop		4.7			μs
$t_{HD:STA}$	Hold time after (repeated) start		4			μs
$t_{SU:STA}$	Repeated start setup time		4.7			μs
$t_{SU:STO}$	Stop setup time		4			μs

(11) For a V_{BAT} or V_{PACK} input range of 3.8 V to 25 V, MIN $V_{(PreCHGON)}$ voltage is 12 V or $V_{(BAT)} - 1\text{V}$, whichever is less.

(12) The bq3060 times out when any clock low exceeds $t_{TIMEOUT}$

(13) t_{HIGH} , Max, is the minimum bus idle time. SMBC = SMBD = 1 for $t > 50\text{ }\mu\text{s}$ causes reset of any transaction involving bq3060 that is in progress. This specification is valid when the NC_SMB control bit remains in the default cleared state (CLK[0]=0). If NC_SMB is set then the timeout is disabled.

(14) $t_{LOW:SEXT}$ is the cumulative time a slave device is allowed to extend the clock cycles in one message from initial start to the stop.

(15) $t_{LOW:MEXT}$ is the cumulative time a master device is allowed to extend the clock cycles in one message from initial start to the stop.

(16) Rise time $t_R = V_{ILMAX} - 0.15$ to $(V_{IHMIN} + 0.15)$

(17) Fall time $t_F = 0.9V_{DD}$ to $(V_{ILMAX} - 0.15)$

bq3060

SLUS928B – MARCH 2009 – REVISED JULY 2016

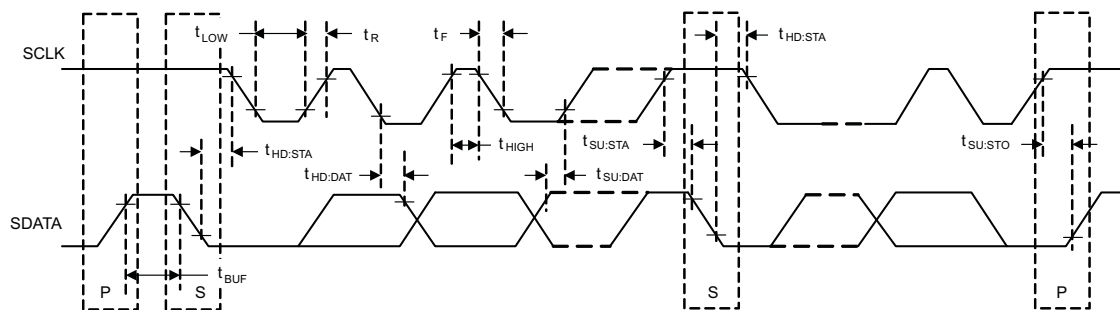
www.ti.com

Electrical Characteristics (continued)

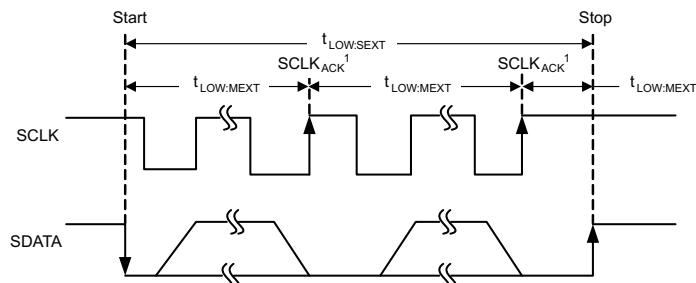
Typical values stated where $T_A = 25^\circ\text{C}$ and $V_{BAT} = V_{PACK} = 14.4\text{ V}$, Minimum/Maximum values stated where $T_A = -40^\circ\text{C}$ to 85°C and $V_{BAT} = V_{PACK} = 3.8\text{ V}$ to 25 V (unless otherwise noted)

PARAMETER	TEST CONDITION	MIN	TYP	MAX	UNIT
t_{TIMEOUT}	Error signal/detect	See (12)		35	ms
t_{LOW}	Clock low period	1		1	μs
t_{HIGH}	Clock high period	See (13)		2	μs

Timing Measurement Intervals



t_{TIMEOUT} Measurement Intervals



(1) SCLK_{ACK} is the acknowledge-related clock pulse generated by the master.

7 Detailed Description

7.1 Feature Description

7.1.1 Battery Parameter Measurements

The bq3060 uses an integrating delta-sigma analog-to-digital converter (ADC) for current measurement, and a second delta-sigma ADC for individual cell and battery voltage, and temperature measurement.

7.1.1.1 Charge and Discharge Counting

The integrating delta-sigma ADC measures the charge/discharge flow of the battery by measuring the voltage drop across a small-value sense resistor between the SR1 and SR2 pins. The integrating ADC measures bipolar signals from -0.20 V to 0.25 V. The bq3060 detects charge activity when $V_{SR} = V_{(SRP)} - V_{(SRN)}$ is positive, and discharge activity when $V_{SR} = V_{(SRP)} - V_{(SRN)}$ is negative. The bq3060 continuously integrates the signal over time, using an internal counter. The fundamental rate of the counter is 0.65 nVh.

7.1.1.2 Voltage

The bq3060 updates the individual series cell voltages at one second intervals. The internal ADC of the bq3060 measures the voltage, scales, and offsets, and calibrates it appropriately. To ensure an accurate differential voltage sensing, the IC ground should be connected directly to the most negative terminal of the battery stack, not to the positive side of the sense resistor. This minimizes the voltage drop across the PCB trace.

7.1.1.3 Voltage Calibration and Accuracy

The bq3060 is calibrated for voltage prior to shipping from TI. The bq3060 voltage measurement signal chain (ADC, high voltage translation, circuit interconnect) will be calibrated for each cell. The external filter resistors, connected from each cell to the VCx input of the bq3060, are required to be 1k Ω . The accuracy of the factory-calibrated devices is +/- 10mV per cell at room temperature at 4V cell voltage. Without any customer voltage calibration, this is the level of accuracy expected as long as the filter resistor value is 1k Ω . If better voltage accuracy is desired, customer voltage calibration is required. An application note on calibrating and programming the bq3060 is available in the product web folder. See *Data Flash Programming and Calibrating the bq3060 Gas Gauge (SLUA502)* for more details.

7.1.1.4 Current

The bq3060 uses the SRP and SRN inputs to measure and calculate the battery charge and discharge current using a 5 m Ω to 20 m Ω typ. sense resistor.

7.1.1.5 Auto Calibration

The bq3060 can automatically calibrate its offset between the A to D converter and the output of the high voltage translation circuit. Also, the bq3060 provides an auto-calibration for the coulomb counter to cancel the voltage offset error across SRN and SRP for maximum charge measurement accuracy. The bq3060 performs auto-calibration when the SMBus lines stay low continuously for a minimum of 5 s.

7.1.1.6 Temperature

The bq3060 has an internal temperature sensor and inputs for 2 external temperature sensor inputs TS1 and TS2 used in conjunction with two identical NTC thermistors (default is Semitec 103AT) to sense the battery cell temperature. The bq3060 can be configured to use internal or up to 2 external temperature sensors.

7.1.2 Primary (1st Level) Safety Features

The bq3060 supports a wide range of battery and system protection features that can easily be configured. The primary safety features include:

- Cell over/undervoltage protection
- Charge and discharge overcurrent
- Short circuit
- Charge and discharge overtemperature
- AFE Watchdog

bq3060

SLUS928B – MARCH 2009 – REVISED JULY 2016

www.ti.com

Feature Description (continued)**7.1.3 Secondary (2nd Level) Safety Features**

The secondary safety features of the bq3060 can be used to indicate more serious faults via the FUSE (pin 21). This pin can be used to blow an in-line fuse to permanently disable the battery pack from charging and discharging. This pin is also used as an input to sense the state of the fuse. The secondary safety protection features include:

- Safety overvoltage
- Safety overcurrent in charge and discharge
- Safety overtemperature in charge and discharge
- Charge FET and Zero-Volt Charge FET fault
- Discharge FET fault
- Cell imbalance detection
- Fuse blow by a secondary voltage protection IC
- AFE register integrity fault (AFE_P)
- AFE communication fault (AFE_C)

7.1.4 Charge Control Features

The bq3060 charge control features include:

- Supports JEITA temperature ranges. Reports charging voltage and charging current according to the active temperature range.
- Handles more complex charging profiles. Allows for splitting the standard temperature range into 2 sub-ranges and allows for varying the charging current according to the cell voltage.
- Reports the appropriate charging current needed for constant current charging and the appropriate charging voltage needed for constant voltage charging to a smart charger using SMBus broadcasts.
- Reduce the charge difference of the battery cells in fully charged state of the battery pack gradually using a voltage-based cell balancing algorithm during charging. A voltage threshold can be set up for cell balancing to be active. This prevents fully charged cells from overcharging and causing excessive degradation and also increases the usable pack energy by preventing premature charge termination
- Supports pre-charging/zero-volt charging
- Supports charge inhibit and charge suspend if battery pack temperature is out of temperature range
- Reports charging fault and also indicate charge status via charge and discharge alarms.

7.1.5 Gas Gauging

The bq3060 uses advanced CEDV (Compensated End-of-Discharge Voltage) technology to measure and calculate the available capacity in battery cells. The bq3060 accumulates a measure of charge and discharge currents and compensates the charge current measurement for temperature and state-of-charge of the battery. The bq3060 estimates self-discharge of the battery and also adjusts the self-discharge estimation based on temperature.

See *bq3060 Technical Reference* ([SLUU319](#)) for further details.

7.1.6 Lifetime Data Logging Features

The bq3060 offers limited lifetime data logging for the following critical battery parameters for analysis purposes:

- Lifetime maximum temperature
- Lifetime minimum temperature
- Lifetime maximum battery cell voltage
- Lifetime minimum battery cell voltage

7.1.7 Authentication

The bq3060 supports authentication by the host using SHA-1.

Feature Description (continued)

7.1.8 Configuration

7.1.8.1 System Present Operation

The bq3060 checks the $\overline{\text{PRES}}$ pin periodically (1 second). If $\overline{\text{PRES}}$ input is pulled to ground by external system, the bq3060 detects the presence of the system.

7.1.8.2 2-, 3-, or 4-Cell Configuration

In a 2-cell configuration, VC1 is shorted to VC2 and VC3. In a 3-cell configuration, VC1 is shorted to VC2.

7.1.8.3 Cell Balance Control

If cell balancing is required, the bq3060 cell balance control allows a weak, internal pull-down for each VCx pin. The purpose of this weak pull-down is to enable an external FET for current bypass. Series resistors placed between the input VCx pins and the positive battery cell terminals control the VGS of the external FET. See *bq3060 Cell balancing using external MOSFET (SLUA509)* or *bq3060 Gas Gauge Circuit Design (SLUA507)* for more details.

7.1.9 Communications

The bq3060 uses SMBus v1.1 with Master Mode and package error checking (PEC) options per the SBS specification.

7.1.9.1 SMBus On and Off State

The bq3060 detects an SMBus off state when SMBC and SMBD are logic-low for ≥ 2 seconds. Clearing this state requires either SMBC or SMBD to transition high. Within 1 ms, the communication bus is available.

7.1.10 SBS Commands

See *bq3060 Technical Reference (SLUU319)* for further details.

7.2 Device Functional Modes

7.2.1 Power Modes

The bq3060 supports 3 different power modes to reduce power consumption:

- In Normal Mode, the bq3060 performs measurements, calculations, protection decisions and data updates in 1 second intervals. Between these intervals, the bq3060 is in a reduced power stage.
- In Sleep Mode, the bq3060 performs measurements, calculations, protection decisions and data update in adjustable time intervals. Between these intervals, the bq3060 is in a reduced power stage. The bq3060 has a wake function that enables exit from Sleep mode, when current flow or failure is detected.
- In Shutdown Mode the bq3060 is completely disabled.

8 Device and Documentation Support

8.1 Documentation Support

8.1.1 Related Documentation

- [bq3060 Technical Reference](#) (SLUU319)
- [bq3060 Cell balancing using external MOSFET](#) (SLUA509)
- [bq3060 Gas Gauge Circuit Design](#) (SLUA507)
- [Data Flash Programming and Calibrating the bq3060 Gas Gauge](#) (SLUA502)

8.2 Receiving Notification of Documentation Updates

To receive notification of documentation updates, navigate to the device product folder on ti.com. In the upper right corner, click on *Alert me* to register and receive a weekly digest of any product information that has changed. For change details, review the revision history included in any revised document.

8.3 Community Resources

The following links connect to TI community resources. Linked contents are provided "AS IS" by the respective contributors. They do not constitute TI specifications and do not necessarily reflect TI's views; see TI's [Terms of Use](#).

TI E2E™ Online Community *TI's Engineer-to-Engineer (E2E) Community*. Created to foster collaboration among engineers. At e2e.ti.com, you can ask questions, share knowledge, explore ideas and help solve problems with fellow engineers.

Design Support *TI's Design Support* Quickly find helpful E2E forums along with design support tools and contact information for technical support.

8.4 Trademarks

E2E is a trademark of Texas Instruments.
All other trademarks are the property of their respective owners.

8.5 Electrostatic Discharge Caution



This integrated circuit can be damaged by ESD. Texas Instruments recommends that all integrated circuits be handled with appropriate precautions. Failure to observe proper handling and installation procedures can cause damage.

ESD damage can range from subtle performance degradation to complete device failure. Precision integrated circuits may be more susceptible to damage because very small parametric changes could cause the device not to meet its published specifications.

8.6 Glossary

[SLYZ022](#) — *TI Glossary*.

This glossary lists and explains terms, acronyms, and definitions.

9 Mechanical, Packaging, and Orderable Information

The following pages include mechanical, packaging, and orderable information. This information is the most current data available for the designated devices. This data is subject to change without notice and revision of this document. For browser-based versions of this data sheet, refer to the left-hand navigation.

PACKAGING INFORMATION

Orderable Device	Status (1)	Package Type	Package Drawing	Pins	Package Qty	Eco Plan (2)	Lead/Ball Finish (6)	MSL Peak Temp (3)	Op Temp (°C)	Device Marking (4/5)	Samples
BQ3060PW	ACTIVE	TSSOP	PW	24	60	Green (RoHS & no Sb/Br)	CU NIPDAU	Level-2-260C-1 YEAR	-40 to 85	3060	Samples
BQ3060PWR	ACTIVE	TSSOP	PW	24	2000	Green (RoHS & no Sb/Br)	CU NIPDAU	Level-2-260C-1 YEAR	-40 to 85	3060	Samples

(1) The marketing status values are defined as follows:

ACTIVE: Product device recommended for new designs.

LIFEBUY: TI has announced that the device will be discontinued, and a lifetime-buy period is in effect.

NRND: Not recommended for new designs. Device is in production to support existing customers, but TI does not recommend using this part in a new design.

PREVIEW: Device has been announced but is not in production. Samples may or may not be available.

OBsolete: TI has discontinued the production of the device.

(2) **RoHS:** TI defines "RoHS" to mean semiconductor products that are compliant with the current EU RoHS requirements for all 10 RoHS substances, including the requirement that RoHS substance do not exceed 0.1% by weight in homogeneous materials. Where designed to be soldered at high temperatures, "RoHS" products are suitable for use in specified lead-free processes. TI may reference these types of products as "Pb-Free".

RoHS Exempt: TI defines "RoHS Exempt" to mean products that contain lead but are compliant with EU RoHS pursuant to a specific EU RoHS exemption.

Green: TI defines "Green" to mean the content of Chlorine (Cl) and Bromine (Br) based flame retardants meet JS709B low halogen requirements of <=1000ppm threshold. Antimony trioxide based flame retardants must also meet the <=1000ppm threshold requirement.

(3) MSL, Peak Temp. - The Moisture Sensitivity Level rating according to the JEDEC industry standard classifications, and peak solder temperature.

(4) There may be additional marking, which relates to the logo, the lot trace code information, or the environmental category on the device.

(5) Multiple Device Markings will be inside parentheses. Only one Device Marking contained in parentheses and separated by a "-" will appear on a device. If a line is indented then it is a continuation of the previous line and the two combined represent the entire Device Marking for that device.

(6) Lead/Ball Finish - Orderable Devices may have multiple material finish options. Finish options are separated by a vertical ruled line. Lead/Ball Finish values may wrap to two lines if the finish value exceeds the maximum column width.

Important Information and Disclaimer:The information provided on this page represents TI's knowledge and belief as of the date that it is provided. TI bases its knowledge and belief on information provided by third parties, and makes no representation or warranty as to the accuracy of such information. Efforts are underway to better integrate information from third parties. TI has taken and continues to take reasonable steps to provide representative and accurate information but may not have conducted destructive testing or chemical analysis on incoming materials and chemicals. TI and TI suppliers consider certain information to be proprietary, and thus CAS numbers and other limited information may not be available for release.

In no event shall TI's liability arising out of such information exceed the total purchase price of the TI part(s) at issue in this document sold by TI to Customer on an annual basis.

PW0024A



PACKAGE OUTLINE

TSSOP - 1.2 mm max height

SMALL OUTLINE PACKAGE



4220208/A 02/2017

NOTES:

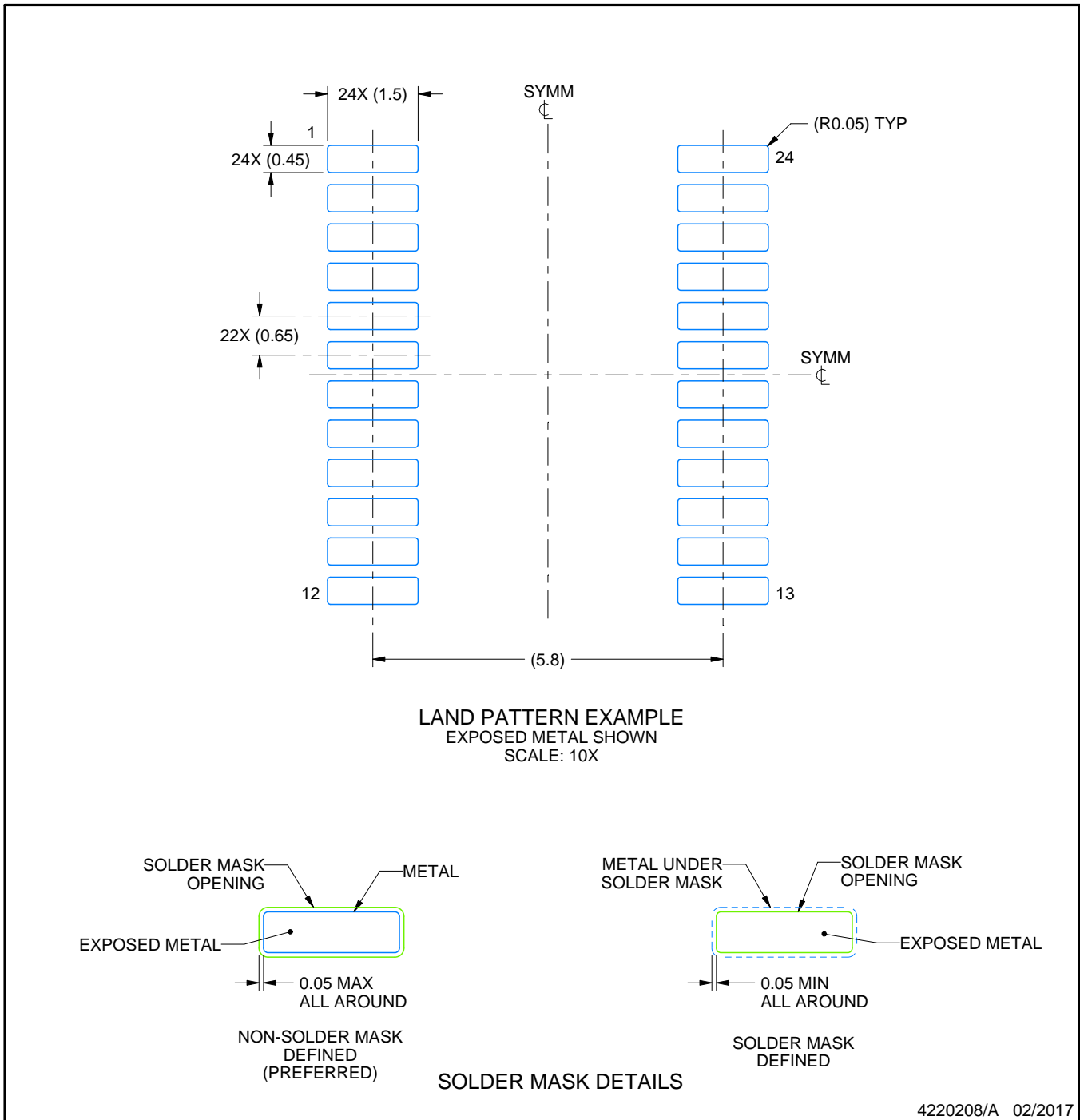
1. All linear dimensions are in millimeters. Any dimensions in parenthesis are for reference only. Dimensioning and tolerancing per ASME Y14.5M.
2. This drawing is subject to change without notice.
3. This dimension does not include mold flash, protrusions, or gate burrs. Mold flash, protrusions, or gate burrs shall not exceed 0.15 mm per side.
4. This dimension does not include interlead flash. Interlead flash shall not exceed 0.25 mm per side.
5. Reference JEDEC registration MO-153.

EXAMPLE BOARD LAYOUT

PW0024A

TSSOP - 1.2 mm max height

SMALL OUTLINE PACKAGE



4220208/A 02/2017

NOTES: (continued)

6. Publication IPC-7351 may have alternate designs.
7. Solder mask tolerances between and around signal pads can vary based on board fabrication site.

EXAMPLE STENCIL DESIGN

PW0024A

TSSOP - 1.2 mm max height

SMALL OUTLINE PACKAGE



NOTES: (continued)

8. Laser cutting apertures with trapezoidal walls and rounded corners may offer better paste release. IPC-7525 may have alternate design recommendations.
9. Board assembly site may have different recommendations for stencil design.

IMPORTANT NOTICE AND DISCLAIMER

TI PROVIDES TECHNICAL AND RELIABILITY DATA (INCLUDING DATASHEETS), DESIGN RESOURCES (INCLUDING REFERENCE DESIGNS), APPLICATION OR OTHER DESIGN ADVICE, WEB TOOLS, SAFETY INFORMATION, AND OTHER RESOURCES "AS IS" AND WITH ALL FAULTS, AND DISCLAIMS ALL WARRANTIES, EXPRESS AND IMPLIED, INCLUDING WITHOUT LIMITATION ANY IMPLIED WARRANTIES OF MERCHANTABILITY, FITNESS FOR A PARTICULAR PURPOSE OR NON-INFRINGEMENT OF THIRD PARTY INTELLECTUAL PROPERTY RIGHTS.

These resources are intended for skilled developers designing with TI products. You are solely responsible for (1) selecting the appropriate TI products for your application, (2) designing, validating and testing your application, and (3) ensuring your application meets applicable standards, and any other safety, security, or other requirements. These resources are subject to change without notice. TI grants you permission to use these resources only for development of an application that uses the TI products described in the resource. Other reproduction and display of these resources is prohibited. No license is granted to any other TI intellectual property right or to any third party intellectual property right. TI disclaims responsibility for, and you will fully indemnify TI and its representatives against, any claims, damages, costs, losses, and liabilities arising out of your use of these resources.

TI's products are provided subject to TI's Terms of Sale (www.ti.com/legal/termsofsale.html) or other applicable terms available either on ti.com or provided in conjunction with such TI products. TI's provision of these resources does not expand or otherwise alter TI's applicable warranties or warranty disclaimers for TI products.

Mailing Address: Texas Instruments, Post Office Box 655303, Dallas, Texas 75265
Copyright © 2019, Texas Instruments Incorporated