

4

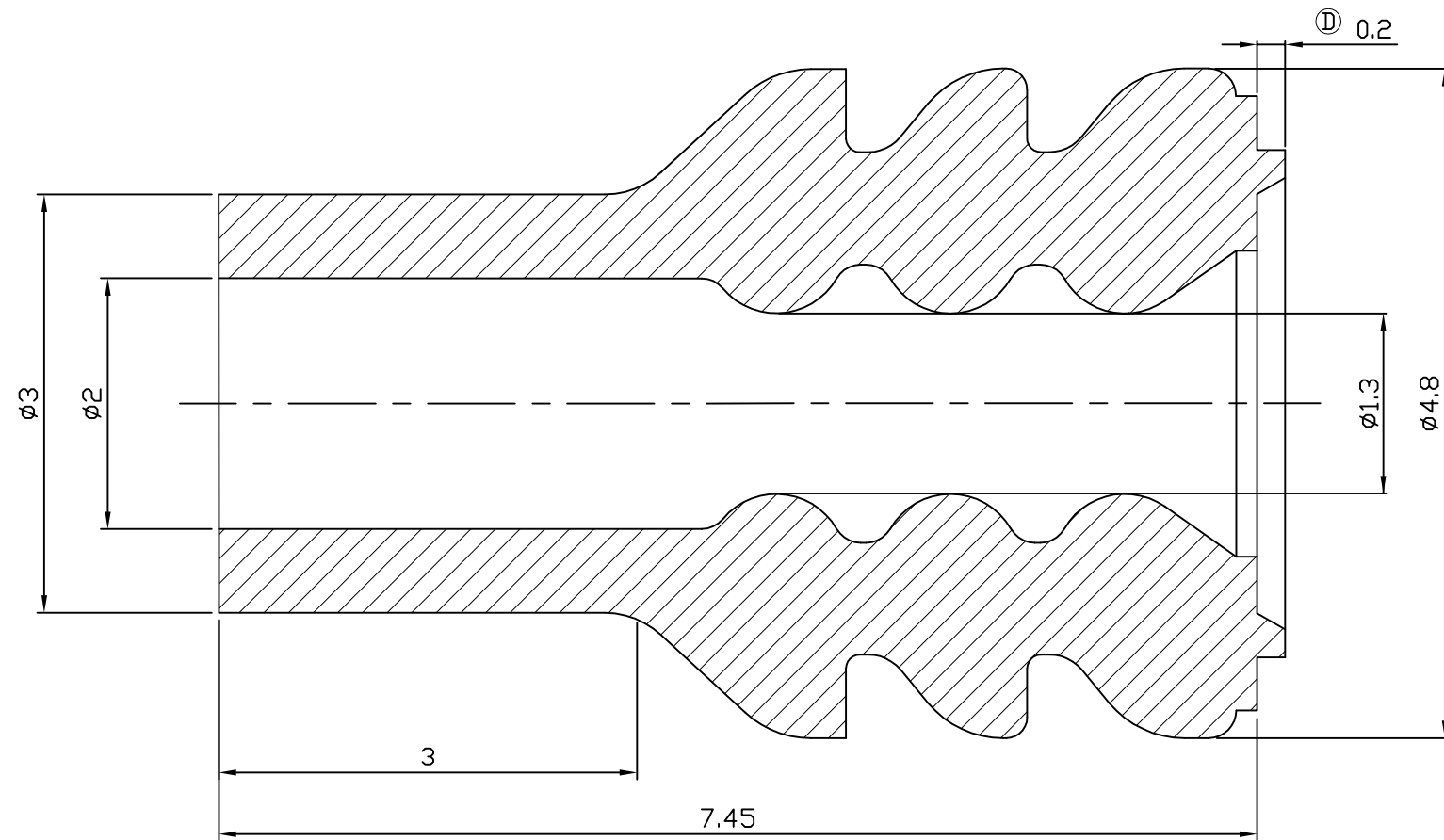
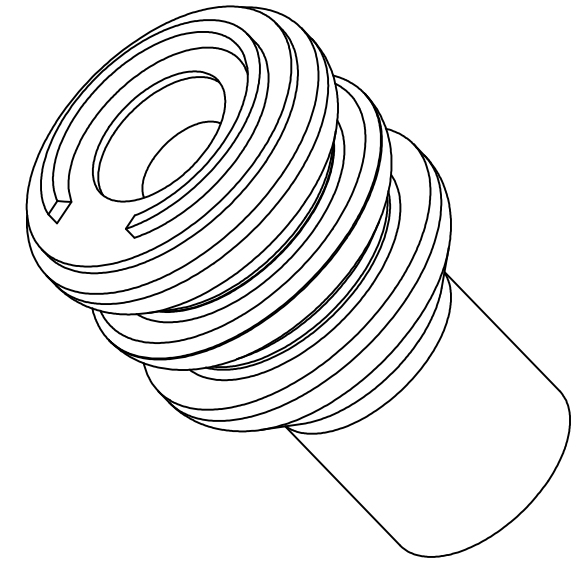
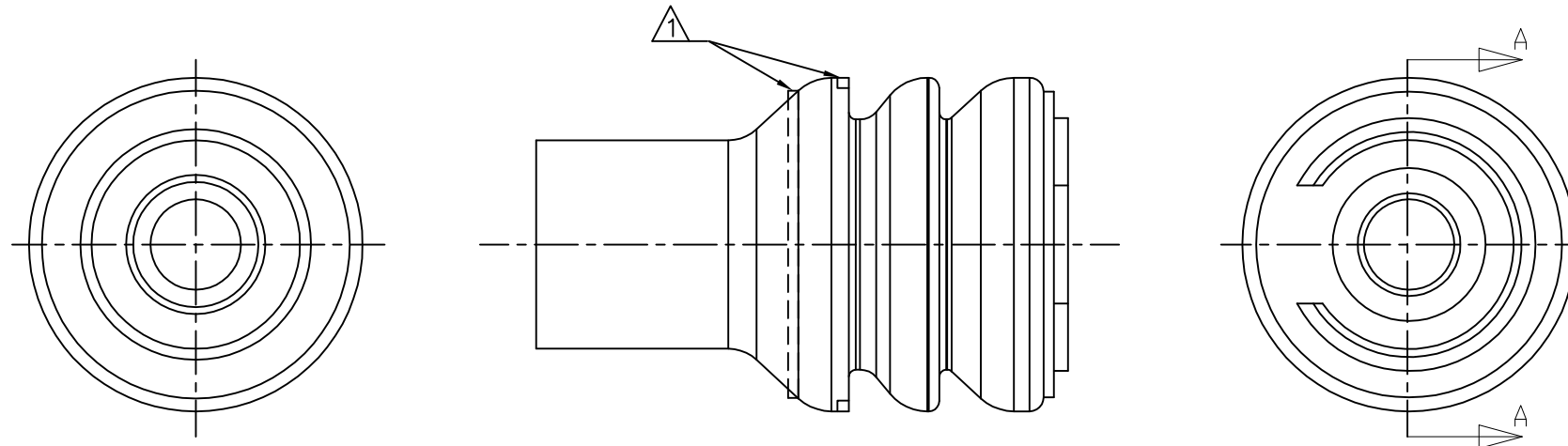
3

2

1

THIS DRAWING IS UNPUBLISHED. RELEASED FOR PUBLICATION
COPYRIGHT BY TYCO ELECTRONICS CORPORATION, ALL RIGHTS RESERVED.

LOC	DIST	REVISIONS					
DS	-	P	LTR	DESCRIPTION	DATE	DWN	APVD
			E1	REVISED (ECR-13-002286)	06.FEB.'13	JM	HG



NOTES
 (E1) \triangle ACCEPTABLE OPTION FIGURE BY MANUFACTURING PROCESS BUT MUST BE NO PROBLEM IN FUNCTION.

COLOR	MATERIAL	DESCRIPTION	P/N
RED	SILICONE	WIRE SEAL FOR EJ MK-II(+)	368280-1
RED	SILICONE(LSR)	WIRE SEAL FOR EJ MK-II(+)	1-368280-1

SECTION A-A
 (SCALE 20:1)

<small>THIS DRAWING IS A CONTROLLED DOCUMENT FOR TYCO ELECTRONICS CORPORATION IT IS SUBJECT TO CHANGE AND THE CONTROLLING ENGINEERING ORGANIZATION SHOULD BE CONTACTED FOR THE LATEST REVISION.</small>	
DIMENSIONS: MM	TOLERANCES UNLESS OTHERWISE SPECIFIED: 0 <XX<10 ± 0.2 10<XX<30 ± 0.25 30<XX ± 0.3 ANGLES ± 3°
MATERIAL SEE TABLE	FINISH

<small>THIS DRAWING IS A CONTROLLED DOCUMENT FOR TYCO ELECTRONICS CORPORATION IT IS SUBJECT TO CHANGE AND THE CONTROLLING ENGINEERING ORGANIZATION SHOULD BE CONTACTED FOR THE LATEST REVISION.</small>		TE TE Connectivity	
DWN JM JEON	CHK JW JUNG	NAME WIRE SEAL FOR EJ MK-II(+) CONN'R (INSULATION DIA: $\phi 1.7-2.4\text{mm}$)	
APVD HG CHD	PRODUCT SPEC -	SIZE A3	RESTRICTED TO -
APPLICATION SPEC -	WEIGHT -	CAGE CODE 00779	DRAWING NO C-368280
CUSTOMER DRAWING		SCALE 10/1	SHEET 1 OF 1 REV E1

Mouser Electronics

Authorized Distributor

Click to View Pricing, Inventory, Delivery & Lifecycle Information:

[TE Connectivity:](#)

[1-368280-1](#)